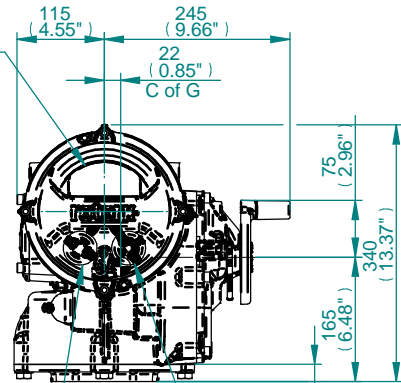
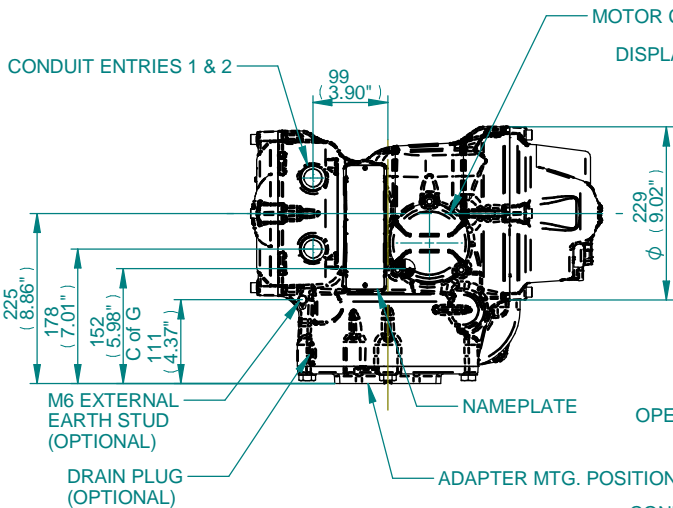
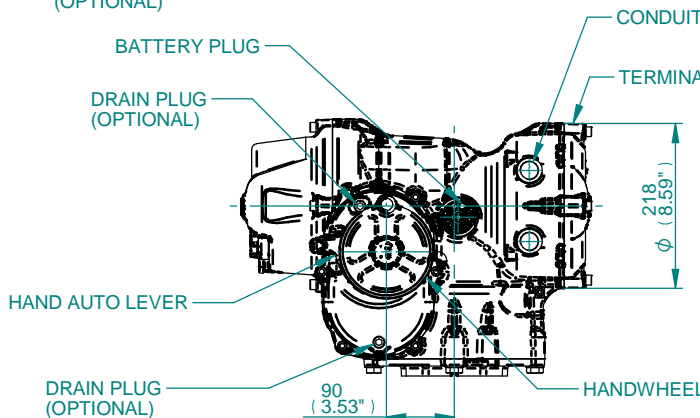


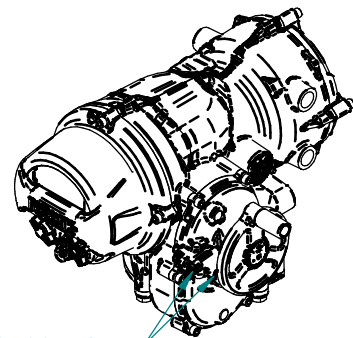
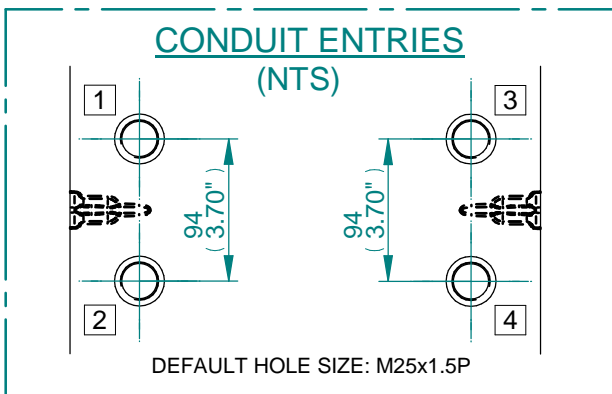
ISOMETRIC VIEW



← 'A'



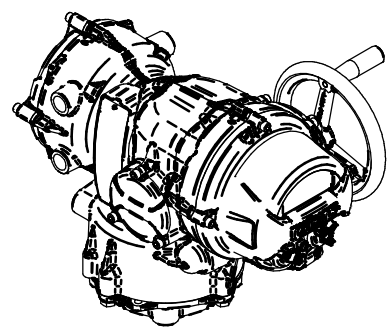
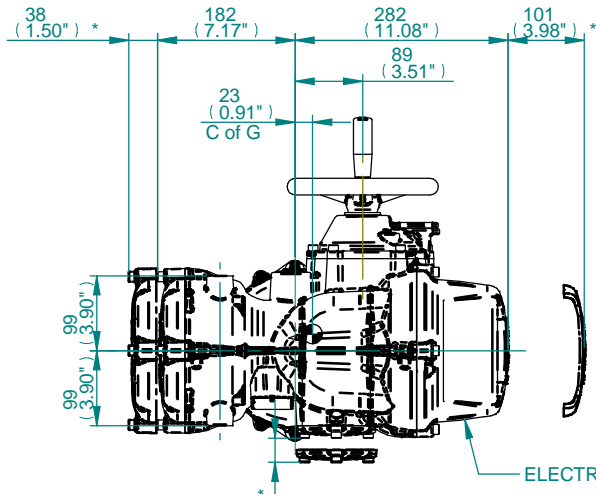
VIEW ON ARROW 'A'



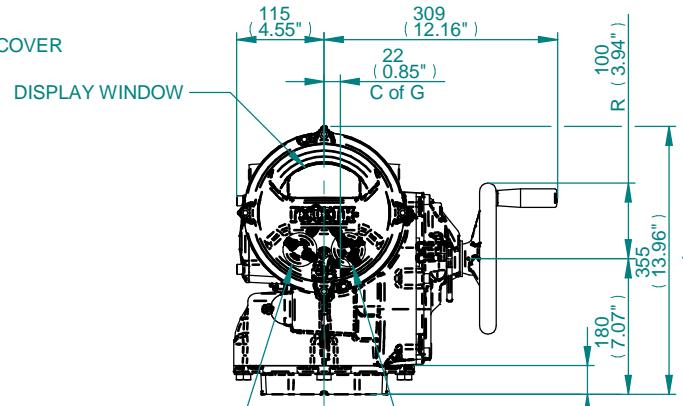
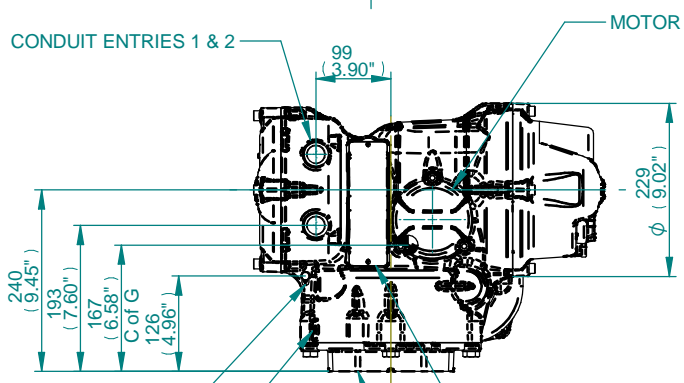
HAND / AUTO LOCKING BOLT HOLE FOR Ø8mm HASP PADLOCK

NOTES

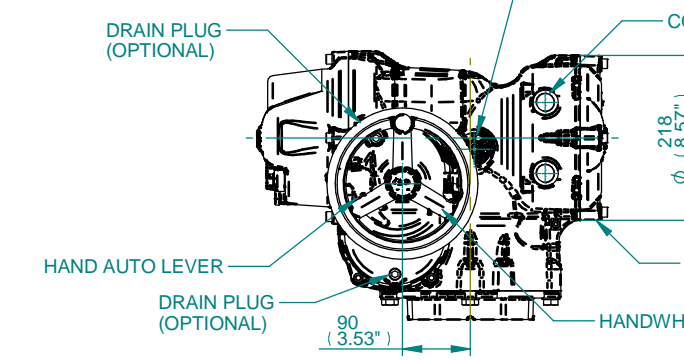
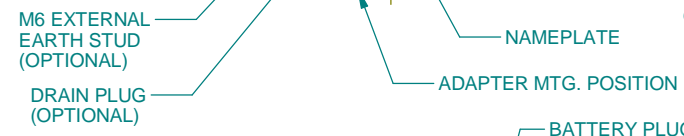
1. THE BASE ADAPTER SHOULD BE LOADED TO MTG POSITION INDICATED IF REQUIRED.
2. "*" REMOVAL ALLOWANCE REQUIRED.



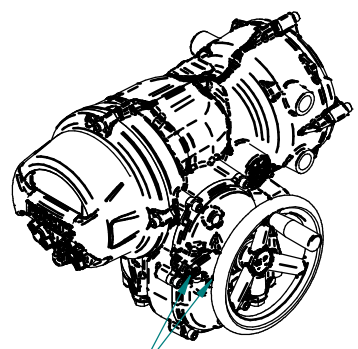
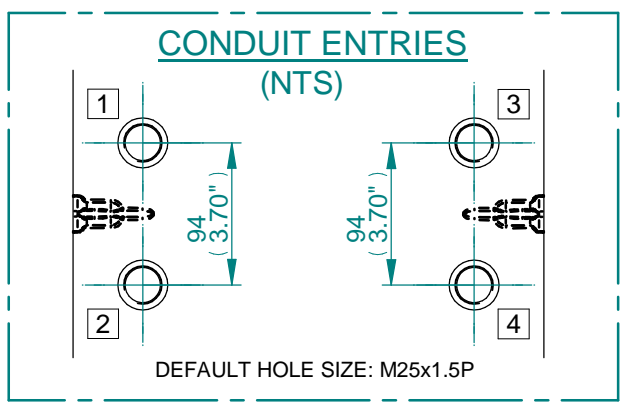
ISOMETRIC VIEW



'A'

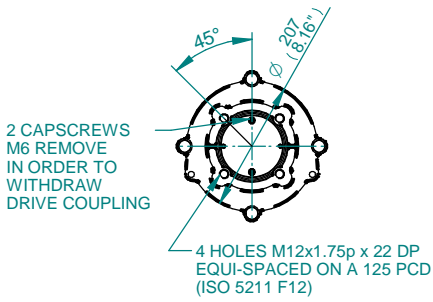


VIEW ON ARROW 'A'

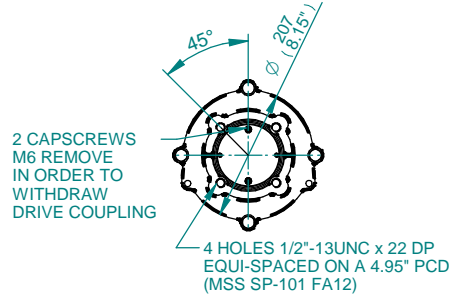


NOTES

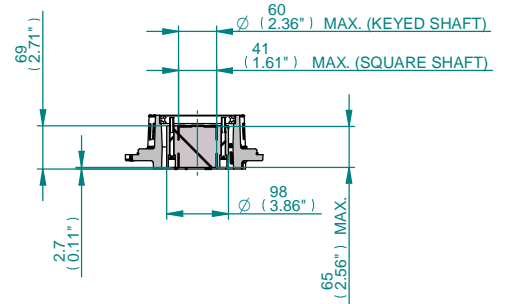
1. THE BASE ADAPTER SHOULD BE LOADED TO MTG POSITION INDICATED IF REQUIRED.
2. "*" REMOVAL ALLOWANCE REQUIRED.



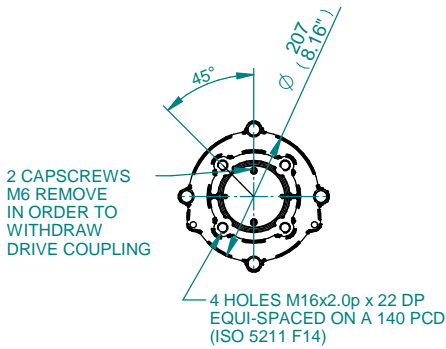
F12 BASE DETAILS



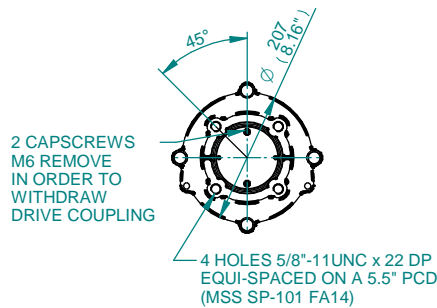
FA12 BASE DETAILS



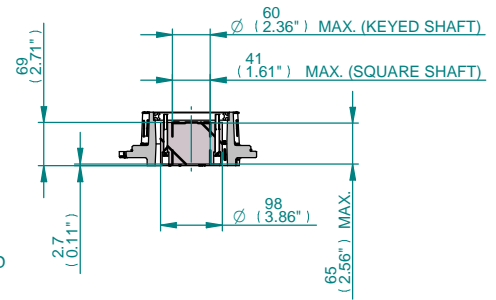
**COUPLING DETAILS
(F12/FA12)**



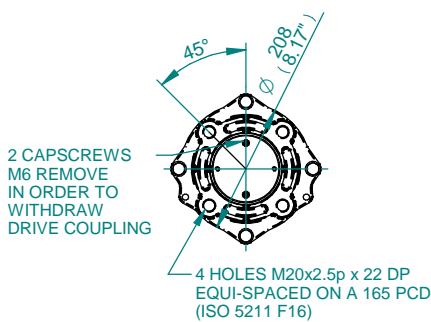
F14 BASE DETAILS



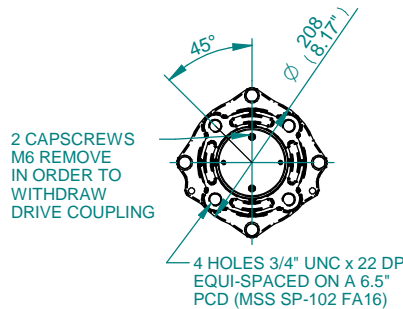
FA14 BASE DETAILS



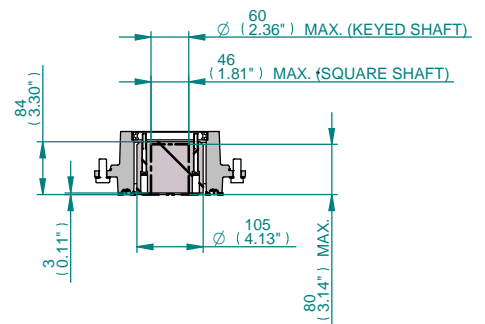
**COUPLING DETAILS
(F14/FA14)**



F16 BASE DETAILS



FA16 BASE DETAILS



**COUPLING DETAILS
(F16/FA16)**