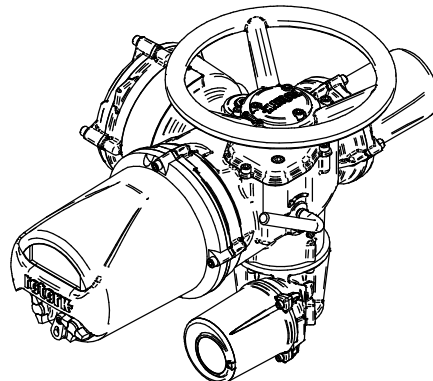
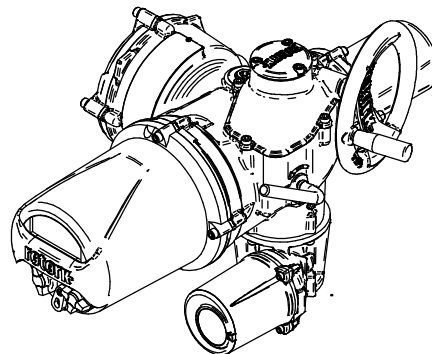
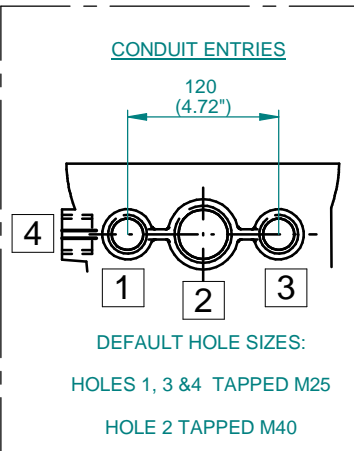
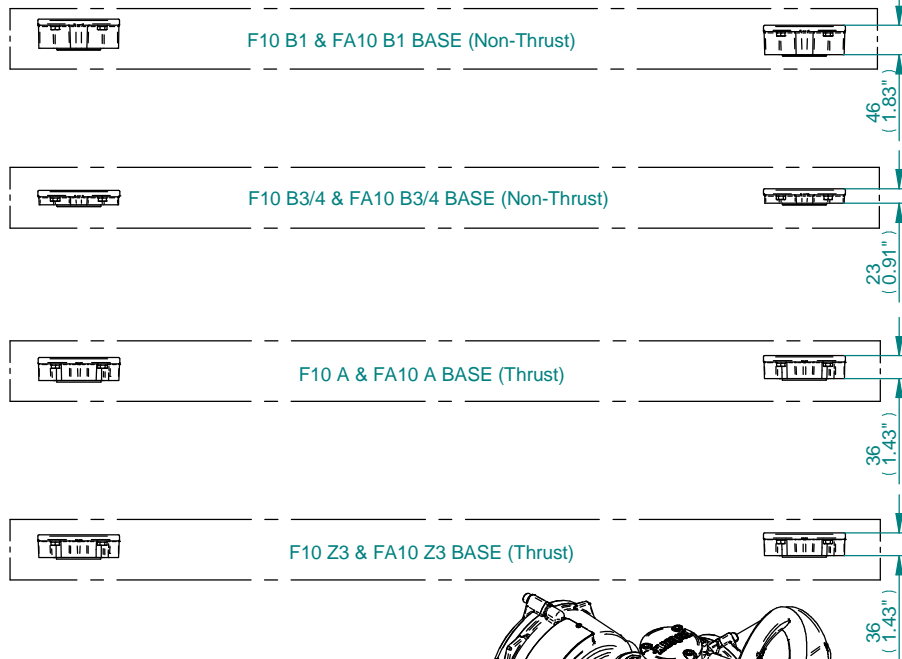
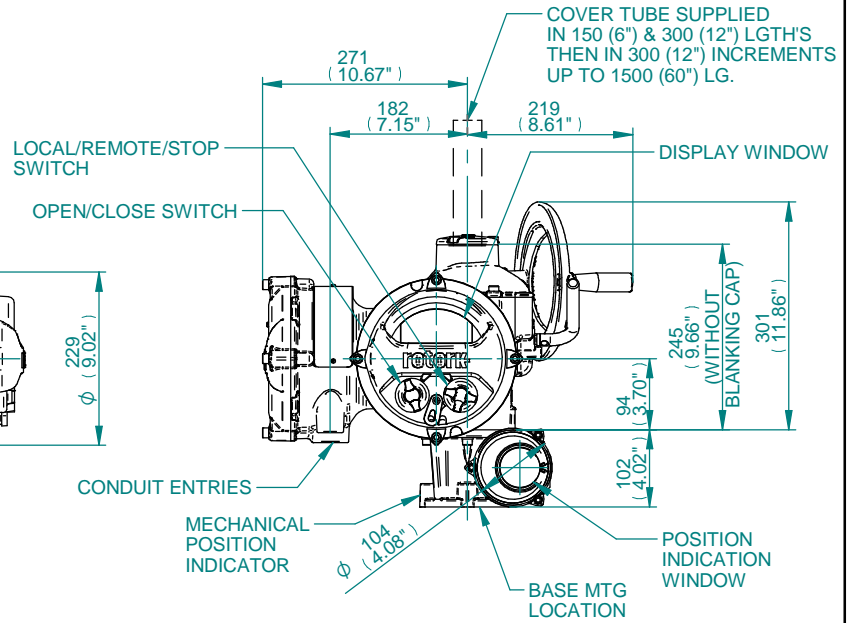
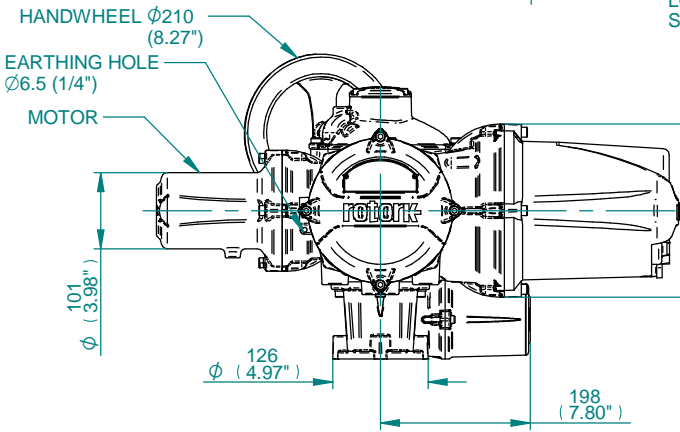
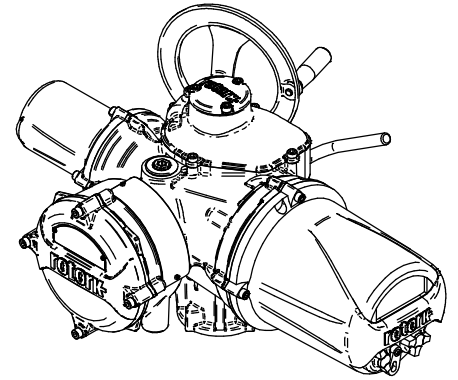
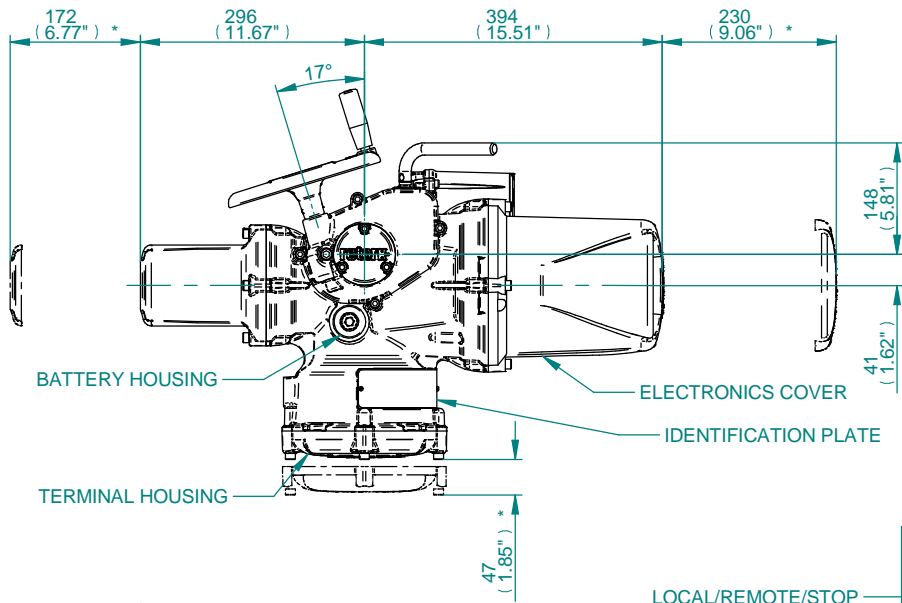


NOTES

- FOUR BASE OPTIONS ARE DETAILED TO SUIT THE RELEVANT COUPLING ARRANGEMENT.
- THE REQUIRED BASE FOR THE SIDE & END VIEWS SHOULD BE LOADED TO MTG POSITION INDICATED.
- *1* REMOVAL ALLOWANCE REQUIRED.





NOTES

1. FOUR BASE OPTIONS ARE DETAILED TO SUIT THE RELEVANT COUPLING ARRANGEMENT.
2. THE REQUIRED BASE FOR THE SIDE & END VIEWS SHOULD BE LOADED TO MTG POSITION INDICATED.
3. ^{1*} REMOVAL ALLOWANCE REQUIRED.

Title

DIMENSIONAL DATA SHEET FOR IQ3 SHW (Sizes 10-18) WITH MECHANICAL POSITION INDICATOR

Date
140922

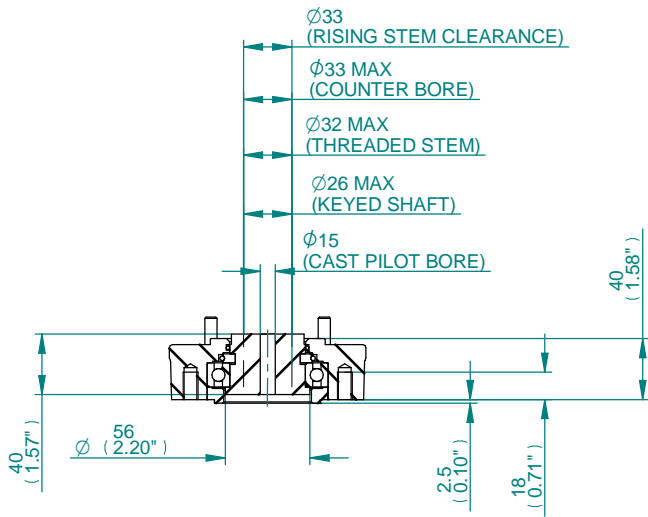
A4

Doc Number
IQ3-1-MPI

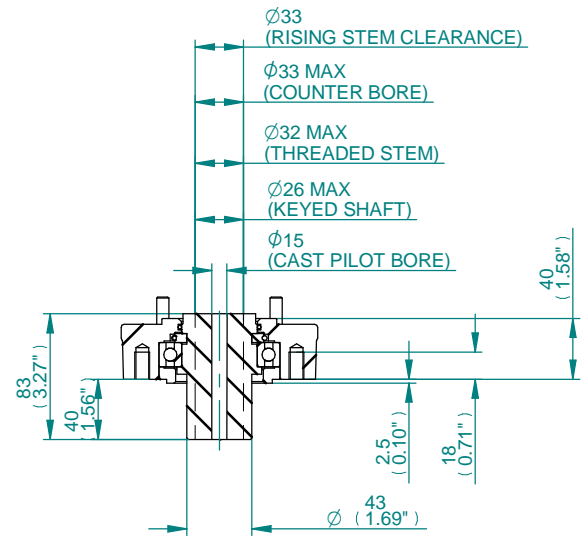
Ver No
1

Scale
1:12

Sheet No
2 of 4

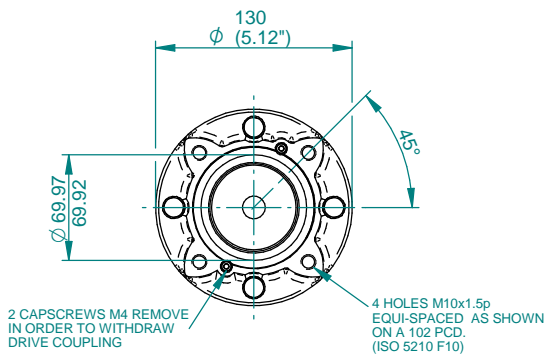


TYPE 'A' COUPLING DETAILS

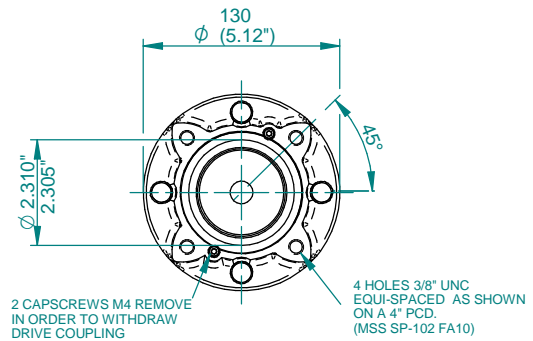


TYPE 'Z3' COUPLING DETAILS

NOTE : COUPLINGS WITHOUT PILOT BORE AVAILABLE IF SPECIFIED WITH ORDER.

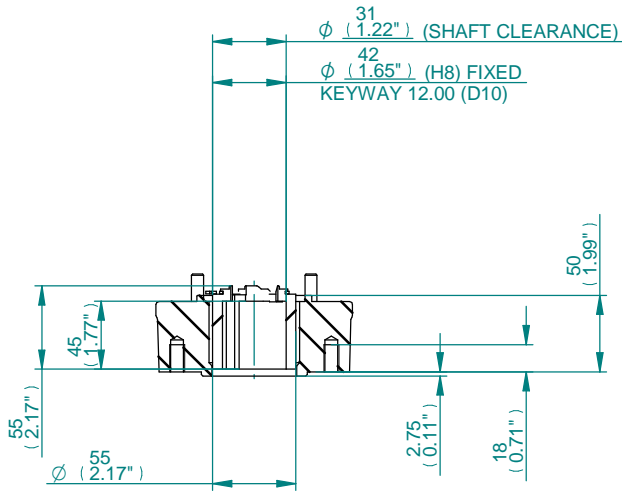


F10 BASE DETAILS FOR 'A' & 'Z3' COUPLINGS

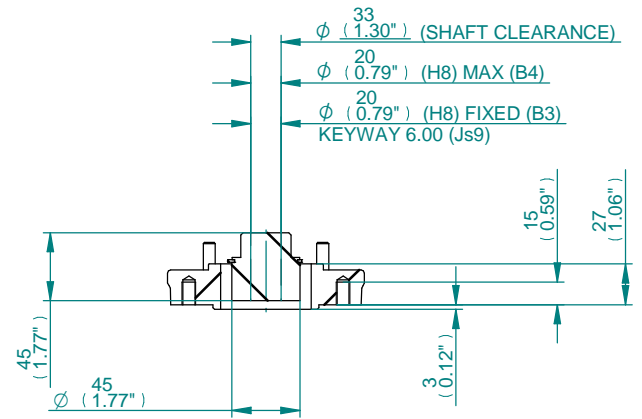


FA10 BASE DETAILS FOR 'A' & 'Z3' COUPLINGS

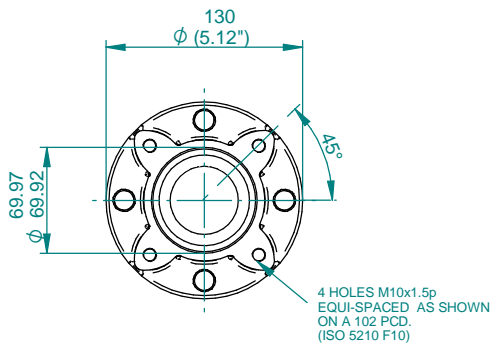
IQ3 SIZE 10-18 THRUST BASES



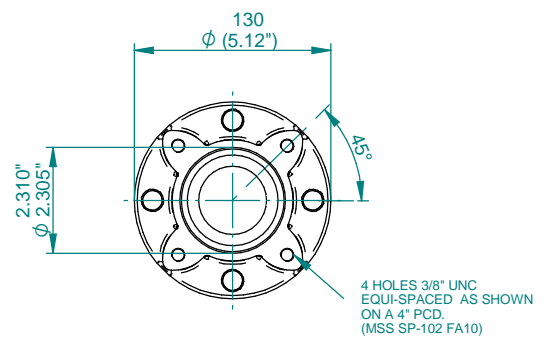
**TYPE 'B1'
COUPLING DETAILS**



**TYPE 'B3/B4'
COUPLING DETAILS**



**F10 BASE DETAILS
FOR 'B1' & 'B3/B4' COUPLINGS**



**FA10 BASE DETAILS
FOR 'B1' & 'B3/B4' COUPLINGS**

**IQ3 SIZE 10-18
NON-THRUST BASES**